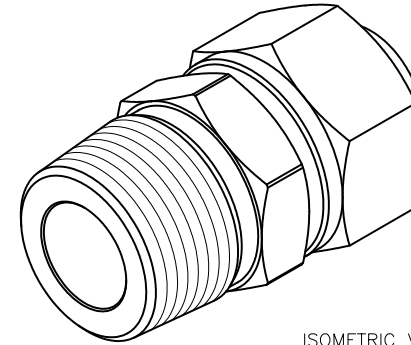
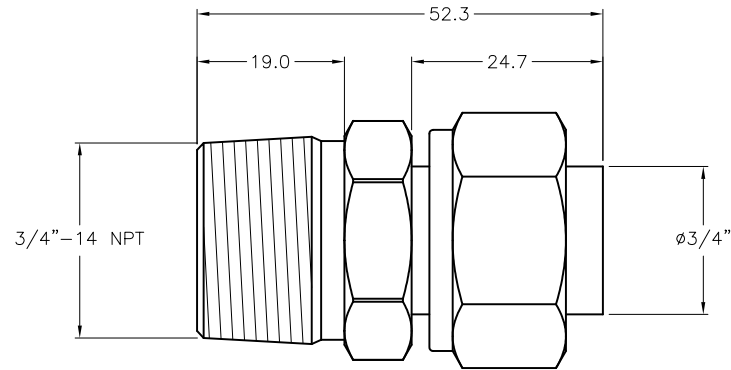
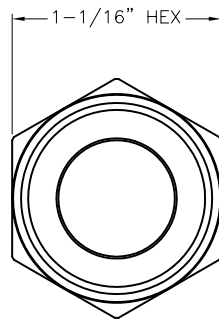


NOTES:

- 1) MATERIAL: A.I.S.I 316
- 2) ALL DIMENSIONS ARE REFERENCE.



ISOMETRIC VIEW



RELATED DOCUMENTS		3RD ANGLE PROJECTION		THIS DRAWING IS PROPERTY OF TURCK INC. USE OF THIS DOCUMENT WITHOUT WRITTEN PERMISSION IS PROHIBITED.		TURCK INC High Technology Sensors and Automation Controls 3000 CAMPUS DRIVE MINNEAPOLIS, MN 55441 1-800-544-7769 (763) 553-7300 (763) 553-0708 fax turck.com	
1. 2. 3. 4.				DRFT	RDS	DATE	DESCRIPTION
MATERIAL		TOLERANCES UNLESS OTHERWISE SPECIFIED		DSGN	MH	SCALE	FVS-SS-3/4 TS-NPT
SEE SPECIFICATIONS		0.5 TO 6 ±0.1 6 TO 30 ±0.2 30 TO 200 ±0.3 OVER 200 ±0.4 ANGLES ±1°		UNIT OF MEASUREMENT		IDENTIFICATION NO.	
FINISH		SEE SPECIFICATIONS		MILLIMETERS		A9306 (MFG)	
A DRAWING RELEASE		RDS	09/13/06	DO NOT SCALE THIS DRAWING		FILE: A9306	REV A
REV	DESCRIPTION	BY	DATE	ECO NO.	SHEET 1 OF 1		